

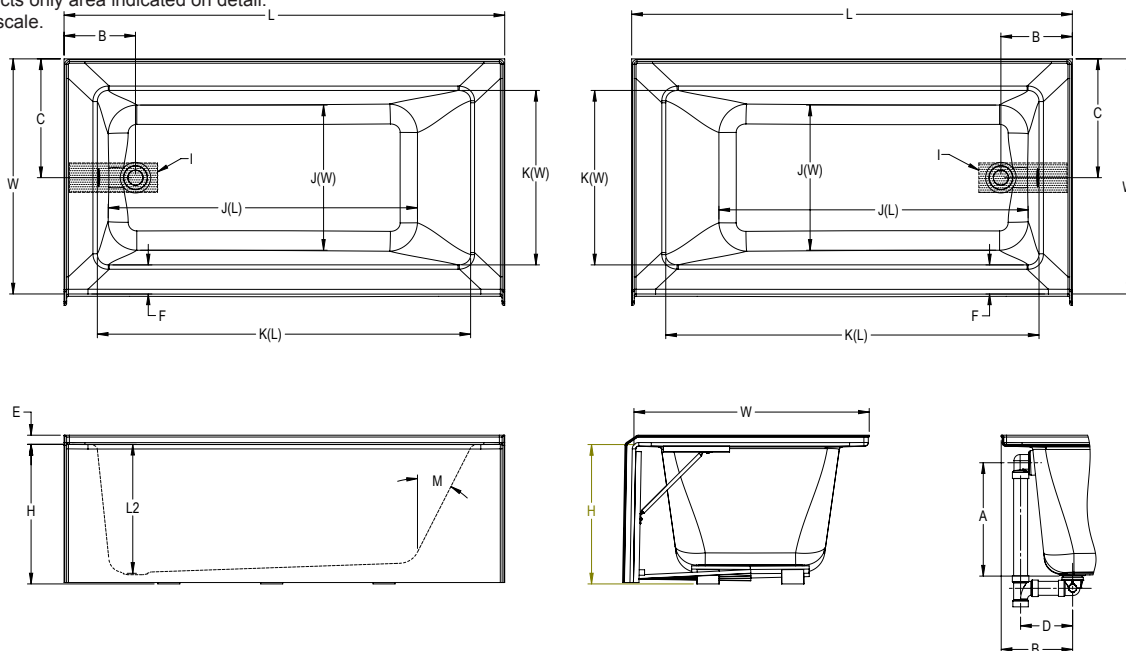
Signature® Flat Front Skirted Soaking Bathtub

Letter	Description	Soaker Models	
		6030	6032
-	Drain Location	Left Hand / Right Hand	
-	Equipment Location	--	
-	Cutout Template	--	
-	Total Weight	745 lbs (338 kg)	746 lbs (338 kg)
-	Floor Loading	60 lb/ft ² (293 kg/m ²)	60 lb/ft ² (293 kg/m ²)
-	Operating Gallons (Min/Max)	53 Gal (201 L)	53 Gal (201 L)
-	Product Weight	55 lbs (25 kg)	56 lbs (25 kg)
-	Soaking Depth	13.8" (351 mm)	13.8" (351 mm)
L	Outer Length	60" (1524 mm)	60" (1524 mm)
W	Outer Width	30" (762 mm)	32" (813 mm)
H	Overall Height	19" (483 mm)	19" (483 mm)
A	Overflow Height	15.4" (391 mm)	15.4" (391 mm)
B	Long Edge to Drain Center	9.7" (246 mm)	9.7" (246 mm)
C	Short Edge to Drain Center	14.2" (361 mm)	16.2" (411 mm)
D	Drain Shoe Length	7" (178 mm)	7" (178 mm)
E	Flange Height	1.25" (32 mm)	1.25" (32 mm)
F	Deck Width*	4" (102 mm)	4" (102 mm)
G	Service Access Dimensions	No Service Access	No Service Access
I	Floor Cutout for Drain	12" x 4" (305 mm x 102 mm)	12" x 4" (305 mm x 102 mm)
J	Interior Dimensions Bottom of bath J(L) x J(W)	42" x 19.8" (1067 mm x 503 mm)	42" x 19.8" (1067 mm x 503 mm)
K	Interior Dimensions Top of Bath K(L) x K(W)	50.8" x 23.8" (1290 mm x 605 mm)	50.8" x 23.8" (1290 mm x 605 mm)
L2	Interior Depth - Drain End	17.6" (447 mm)	17.6" (447 mm)
M	Backrest Angle	27°	27°
N	Footprint (L x W)	--	--

NOTE

The overall dimensions are nominal with a tolerance of +0 and -.25" (6 mm).

KEY DIMENSIONS

 *Deck width reflects only area indicated on detail.
 Drawings not to scale.


©2020 Jacuzzi Luxury Bath • For additional information, call Customer Service 800-288-4002 • www.jacuzzi.com/baths
 Refer to installation instructions included with fixture before beginning installation. Please confirm product availability and specifications before commencing with any installation work.

PRODUCT SPECIFICATIONS AND AVAILABILITY ARE SUBJECT TO CHANGE WITHOUT NOTICE